

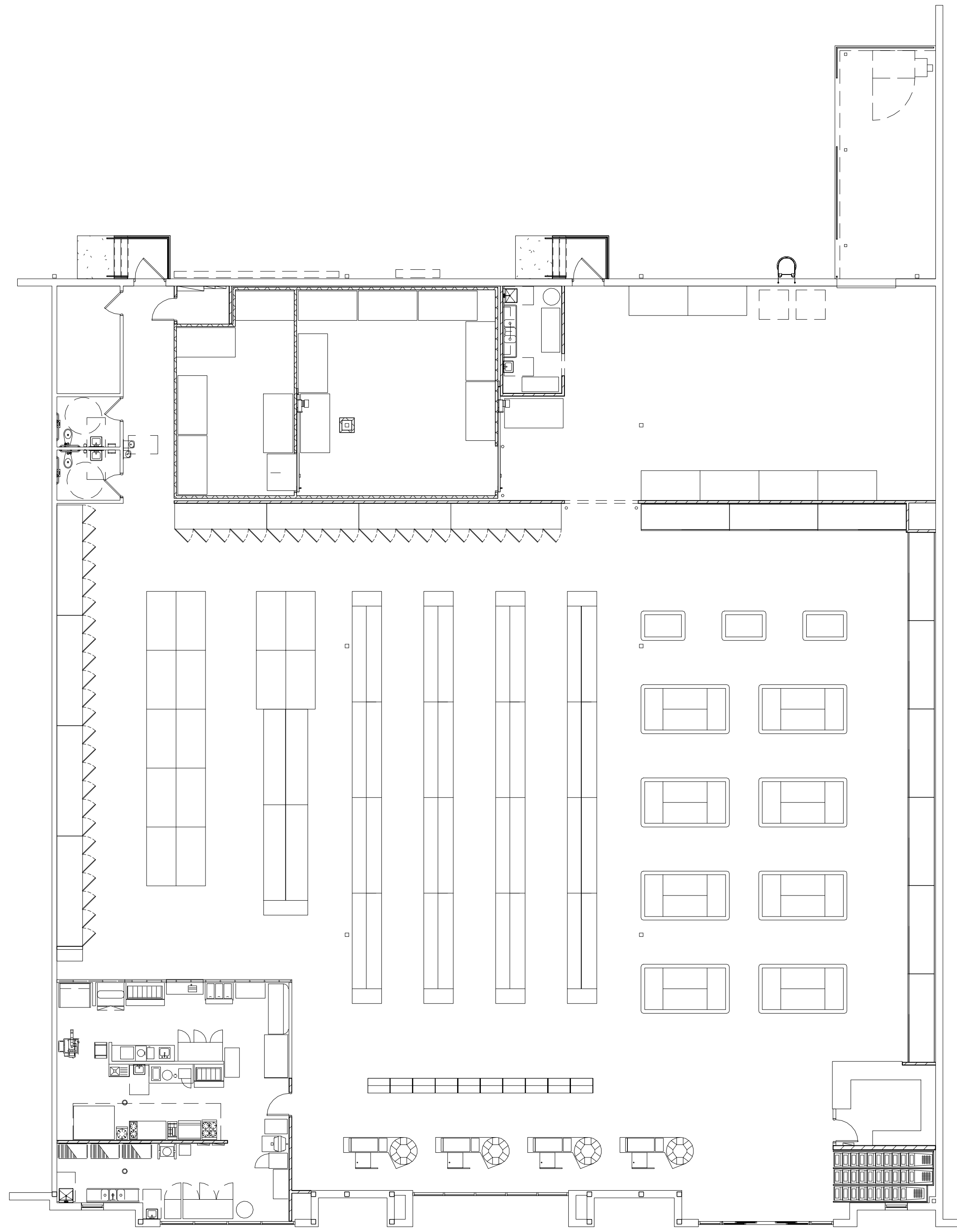
General Notes

- *These drawings are not approved for construction purposes until approval from AHJ
1. THE SYSTEM SHALL BE A LOW VOLTAGE, POWER LIMITED CENTRAL STATION SIGNALING SYSTEM.
 2. EACH ZONE SHALL ANNUNCIATE AT THE F.A.C.P. AND CENTRAL STATION.
 3. CENTRAL STATION COMMUNICATION METHODS SHALL COMPLY WITH NFPA 72, SECTION 26.6.3.2.1.4 TRANSMISSION CHANNELS.
 4. SYSTEM SHALL HAVE PRIMARY POWER (120 VAC, 350 VA) FROM A 20 AMP DEDICATED SOURCE, IDENTIFIED AS A FIRE ALARM CIRCUIT. A LOCK OUT DEVICE SHALL BE PROVIDED ON ALL FIRE ALARM BREAKERS. THE SYSTEM SHALL BE PROVIDED WITH A MINIMUM 24 HOUR STANDBY BATTERY BACK UP.
 5. THE SYSTEM SHALL BE GROUNDED IN ACCORDANCE WITH NEC AND MANUFACTURER'S INSTRUCTIONS.
 6. ALL POWER LIMITED WIRING SHALL BE SEPARATED FROM NON-POWER LIMITED WIRING. ELECTRIC LIGHT POWER AND CLASS 1 CIRCUITS BY A MINIMUM OF 2 INCHES (REF. CEC, ARTICLE 760-52 (a)(1)).
 7. ALL POWER LIMITED CIRCUITS SHALL BE PERMANENTLY IDENTIFIED AT THE DACT AND IN THE MAIN JUNCTION BOXES.
 8. THE SYSTEM SHALL UTILIZE U.L./NEC APPROVED POWER LIMITED FIRE CABLE, AND/OR THHN/THWN.
 9. FACP SHALL BE INSTALLED 72" ABOVE FINISHED FLOOR TO THE TOP OF THE BOX. REMOTE ANNUNCIATOR SHALL BE 60" ABOVE FINISHED FLOOR TO CENTER OF BOX.
 10. SMOKE DETECTORS SHALL BE INSTALLED IN ACCORDANCE WITH NFPA 72 AND MANUFACTURER'S RECOMMENDATION FOR THE AREA OF INTENT.
 11. MANUAL PULL STATIONS SHALL BE INSTALLED 48" ABOVE FINISHED FLOOR TO THE CENTER OF THE BOX.
 12. LINE LOSS VOLTAGE FOR NOTIFICATION CIRCUITS SHALL NOT DROP LESS THAN 16VDC LOSS IN VOLTAGE AT END OF LINE.
 13. SUPERVISION:
 - A. WIRING SHALL NOT BE LOOPED THROUGH DEVICES. WIRE MUST BE CUT FOR IN AND OUT CONNECTIONS.
 - B. COMMON ANNUNCIATION AND T-TAPPING IS PROHIBITED. DATA CIRCUITS EXCEPTED.
 - C. ALL WIRING TO THE INITIATING NOTIFICATION DEVICES AND ANNUNCIATOR PANELS SHALL BE SUPERVISED.
 14. SYSTEM OPERATION:
 - A. ACTIVATION OF ANY SMOKE DETECTOR, MANUAL PULL BOX, OR SPRINKLER WATER FLOW SWITCH.
 - B. THE APPROPRIATE ZONE INDICATOR ON THE FACP TO VISUALLY DISPLAY WHAT TYPE OF DEVICE WAS ACTIVATED AND FROM WHICH AREA THE ALARM WAS GENERATED.
 - C. HORN STROBES TO SOUND/FLASH IN A CODE 3 TEMPORAL PATTERN.
 - D. THE APPROPRIATE ZONE ALARM SIGNAL SHALL BE TRANSMITTED TO THE APPROVED CENTRAL STATION FOR COMMUNICATION TO THE FIRE DEPARTMENT.
 - E. THE SYSTEM SHALL BE ELECTRICALLY SUPERVISED SO THAT THE OCCURRENCE OF A SINGLE OPEN OR GROUND FAULT ON ANY FIELD WIRING, OR FAILURE OF PRIMARY POWER SUPPLY, WILL CAUSE A VISUAL "TROUBLE" AT THE FACP.
 - F. REMOTE ANNUNCIATOR AND A "TROUBLE" SIGNAL SHALL BE TRANSMITTED TO THE APPROVED CENTRAL STATION FOR APPROPRIATE ACTION.
 15. THE OPERATION, MAINTENANCE, AND TESTING OF THE FIRE ALARM SYSTEM REQUIRED BY NFPA 72 AND LOCAL AHJ, AS PER LOCAL AHJ.
 16. 24 HOUR EMERGENCY RESPONSE NUMBER FOR THE APPROVED CENTRAL STATION SHALL BE ON FAC/PDACT.
 17. NFPA 72 REQUIRED CERTIFICATE OF COMPLETION SHALL BE PROVIDED TO THE AHJ AT FIELD TEST.
 18. PER NEC, LOCK-OUT ON THE FIRE ALARM SYSTEM DEDICATED CIRCUIT BREAKER SERVING FIRE ALARM SYSTEM SHALL BE APPROVED AND COLORED "RED".
 19. BACKUP BATTERIES SHALL BE PERMANENTLY MARKED WITH MONTH AND YEAR OF MANUFACTURER.
 20. SYSTEM SHALL HAVE 24 HOURS OF EMERGENCY STANDBY POWER FOLLOWED BY 5 MINUTES OF ALARM (SEE CALCULATIONS)
 21. THE FIRE ALARM SYSTEM SHALL BE CERTIFICATED OR PLACARDED AS A CENTRAL STATION SERVICE FIRE ALARM SYSTEM. A PERMANENT WEATHERPROOF SIGN SHALL BE PROVIDED IDENTIFYING THE FIRE ALARM CONTROL PANEL ROOM AND THE SIGNS MUST HAVE 2" HIGH WHITE LETTERS ON A RED BACKGROUND.
 22. ALL SOUNDERS SHALL BE SET TO "TEMPORAL MODE" AND STROBES SHALL BE SYNCHRONIZED.
 23. ALL WIRING, INITIATING DEVICES, AND ANNUNCIATOR PANELS SHALL BE SUPERVISED TO THE PRINCIPAL POINT OF ANNUNCIATION (F/A PANEL TO SUPERVISE THE ANNUNCIATOR PANEL, ALL CIRCUITS, AND INITIATING DEVICES).
 25. WIRING SHALL NOT BE LOOPED THROUGH DEVICES; WIRE MUST BE CUT FOR IN AND OUT.
 26. POINT AND COMMON ANNUNCIATION PROHIBITED. NON-ADDRESSABLE CIRCUITS T-TAPPING IS PROHIBITED.
 27. ALL DEVICES IN THE ALARM SYSTEM SHALL BE COMPATIBLE AND INSTALLED TO MANUFACTURERS SPECIFICATIONS.
 28. AUDIBILITY OF ALARM SHALL BE NO LESS THAN 15 DBA ABOVE AMBIENT SOUND.
 29. AREAS HAVING MORE THAN 2 STROBES IN THE FIELD OF VIEW SHALL BE SYNCHRONIZED.

Project Name

Project Address

Site Map



Device Legend

DEVICE LEGEND				
DEVICE SYMBOL	QTY.	MANUFACTURER	PART NO.	DESCRIPTION
[CRS]	1	GENERIC	ANSUL HOOD	ANSUL HOOD
[DOC]	1	GENERIC	DOC	GENERIC DOCUMENT CABINET
[FAC]	1	POTTER	AFC-50	FIRE ALARM CONTROL PANEL 5A
	1	POTTER	AFC-50 MAIN BOARD	FIRE ALARM CONTROL PANEL MAIN BOARD
	1	POTTER	UD-1000	PFC SERIES DIGITAL ALARM COMMUNICATOR TRANSMITTER (RJ-11 JACK CONNECTION)
[FAA]	1	POTTER	RA-6075	LCD ANNUNCIATOR
	1	POTTER	RA-6075 MAIN BOARD	MAIN BOARD FOR RA-6075 LCD ANNUNCIATOR
[P]	1	POTTER	PAD100-PD/PAD100-6DB	PHOTOELECTRIC SMOKE DETECTOR WITH 6" STANDARD BASE
[F]	1	POTTER	PAD100-PSDA	ADDRESSABLE PULL STATION DUAL ACTION
[AM]	1	POTTER	PAD100-SIM	SINGLE INPUT MODULE
[CS]	5	POTTER	CS-24R	STROBE, CEILING, RED
[S]	2	POTTER	S-24WR	STROBE, 24 VDC, RED
[CHS]	6	POTTER	CHS-24R	HORN STROBE, CEILING, RED
[HS-WP]	2	POTTER	HS-24WR-WP	OUTDOOR HORN STROBE, FIXED 75 CANDELA, STANDARD ENCLOSURE, RED
[HS]	1	POTTER	HS-24WR	HORN STROBE, 24 VDC, RED,

Cable & Wire Legend

CABLE AND WIRE LEGEND					
LABEL	PART NO	AWG	RESISTANCE (Ω/Mft)	DESCRIPTION	TOTAL LENGTH
A4	982	18	7.77	SOLID COPPER FPLR 18/4	193.0304'
AX	D980	18	7.77	SOLID COPPER FPLR 18/2	141.2650'
B	994	14	3.07	SOLID COPPER FPLR 14/2	526.8522'

Building Information

Description: Business
 Occupancy Type: B
 Sprinklered: Yes
 Occupant Load(s): Less than 500 total
 Ceiling Height(s): Less than 20'-0" AFF
 Scope of Work: This is an existing single-story, fully-sprinklered, multi-tenant building. A new voluntary, manual fire alarm system will be installed. The sprinkler system is monitored by a panel in an adjacent suite. All duct detector supervision requirements met and provided by others.
 Central Station Monitoring: Signals reported to central station via phone lines via onboard DACT.

Applicable Codes

- 2018 INTERNATIONAL BUILDING CODE
- 2018 NATIONAL FIRE PREVENTION ASSOCIATION
- 2018 INTERNATIONAL FUEL GAS CODE
- 2018 INTERNATIONAL MECHANICAL CODE
- 2018 INTERNATIONAL PLUMBING CODE
- 2018 NATIONAL ELECTRIC CODE
- 2018 INTERNATIONAL FIRE CODE

Drawing Sheet Index

Sheet Number	Sheet Name	Sheet Number	Sheet Name
FA-100	Cover		
FA-200	Floor Plan		
FA-300	Calculations		
FA-400	Risers		
FA-500	Panel Room		
FA-600	Details - 1		
FA-601	Details - 2		

Vicinity Map



YOUR COMPANY LOGO

Company Address 1
 Company Address 2

Phone Number

Contractor Name
 Contractor License
 License #

Certification
 Certification Name
 Certification #

Project Name:
 Project Name

Project Address:
 Project Address 1
 Project Address 2

Designed By:
 Dace Fraker
 Nicet Level III # 147197

Drawing Revisions		
#	Description	Date

Project #:
 Project #

Scale:

Date:
 Date

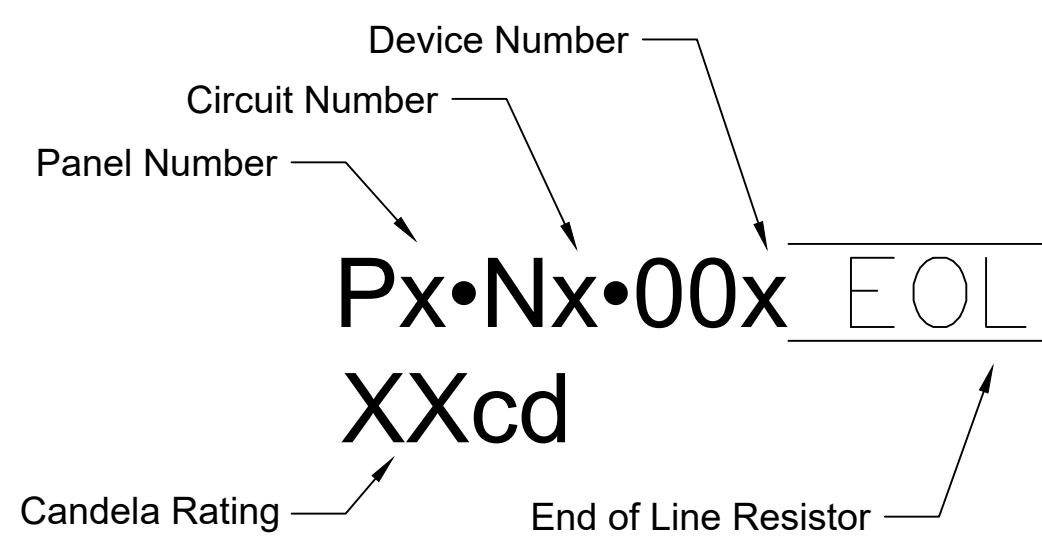
Drawn By:
 Designer Initials

Approved By:
 Contractor Name

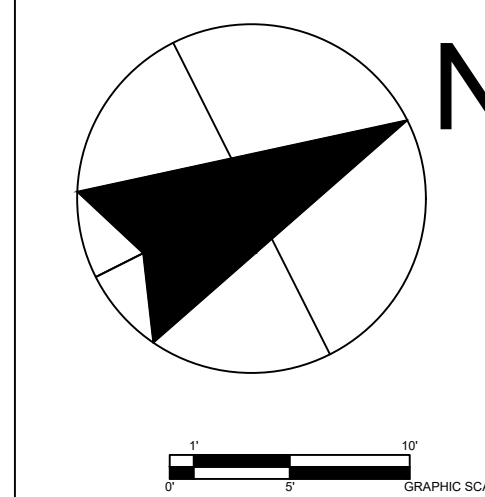
Sheet Name:
 Cover

Sheet Number:
 FA-100

Device IO Nomenclature



Authority Having Jurisdiction Stamp



**YOUR
COMPANY
LOGO**

Company Address 1
Company Address 2

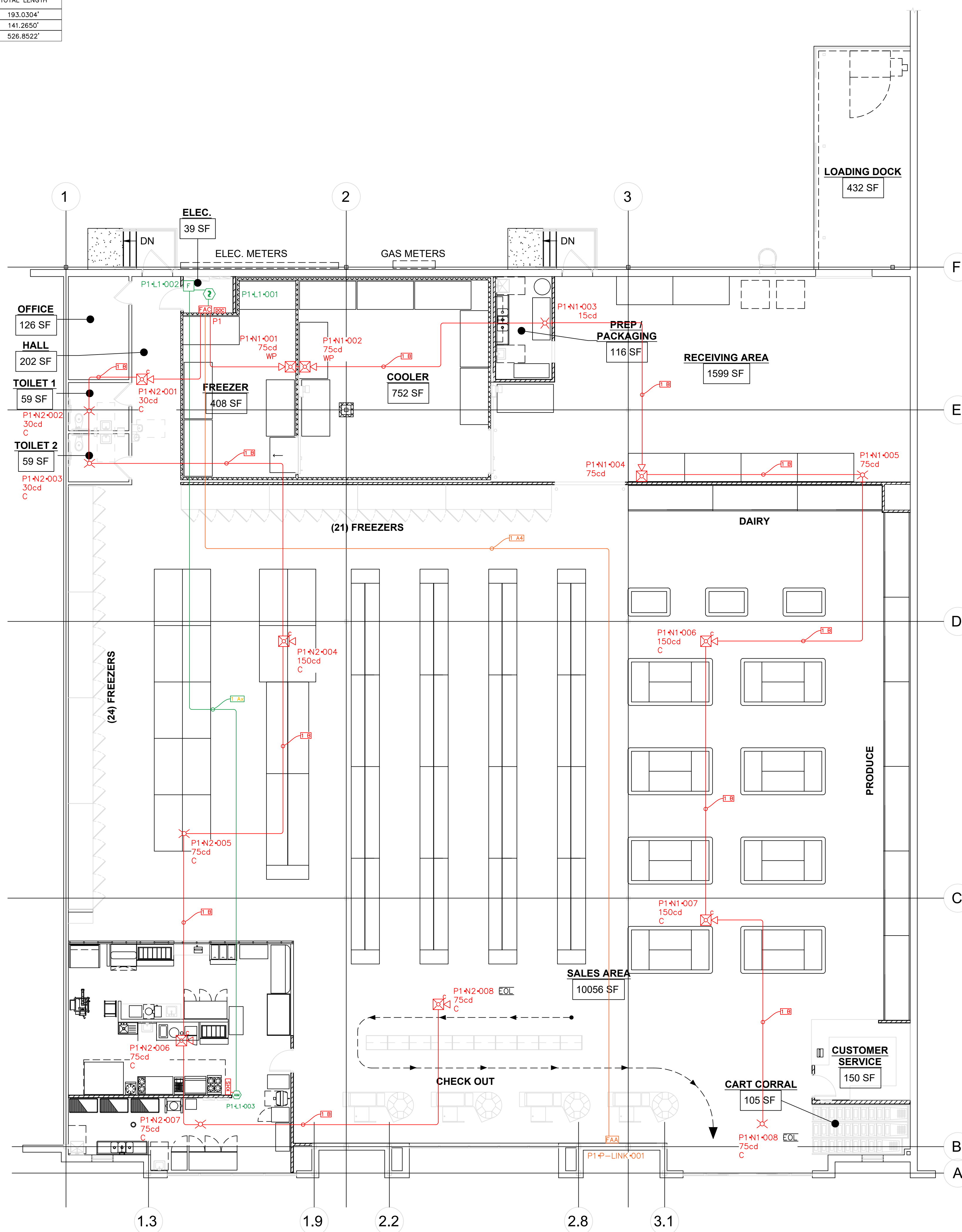
Phone Number

Contractor Name
Contractor License
License #

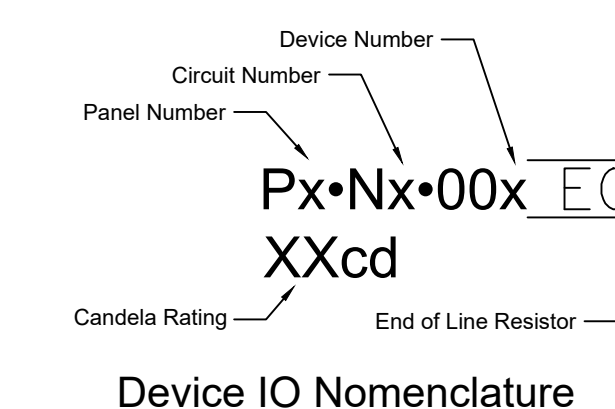
Certification
Certification Name
Certification #

Project Name:
Project Name
Project Address:
Project Address 1
Project Address 2
Designed By:
Dace Fraker
Nicet Level III # 147197

DEVICE LEGEND				CABLE AND WIRE LEGEND						
DEVICE SYMBOL	QTY.	MANUFACTURER	PART NO.	DESCRIPTION	LABEL	PART NO.	AWG	RESISTANCE (Ω/100 FT)	DESCRIPTION	TOTAL LENGTH
	1	GENERIC	ANSUL HOOD	ANSUL HOOD	A4	982	18	7.77	SOLID COPPER FPLR 18/4	193.0304'
	1	GENERIC	DOC	GENERIC DOCUMENT CABINET	AX	0980	18	7.77	SOLID COPPER FPLR 18/2	141.2650'
	1	POTTER	AFC-50	FIRE ALARM CONTROL PANEL 5A	B	994	14	3.07	SOLID COPPER FPLR 14/2	526.8522'
	1	POTTER	AFC-50 MAIN BOARD	FIRE ALARM CONTROL PANEL MAIN BOARD						
	1	POTTER	UD-1000	PFC SERIES DIGITAL ALARM COMMUNICATOR TRANSMITTER (RJ-11 JACK CONNECTION)						
	1	POTTER	RA-6075	LCD ANNUNCIATOR						
	1	POTTER	RA-6075 MAIN BOARD	MAIN BOARD FOR RA-6075 LCD ANNUNCIATOR						
	1	POTTER	PAD100-PD/PA D100-6DB	PHOTOELECTRIC SMOKE DETECTOR WITH 6" STANDARD BASE						
	1	POTTER	PAD100-PSDA	ADDRESSABLE PULL STATION DUAL ACTION						
	1	POTTER	PAD100-SIM	SINGLE INPUT MODULE						
	5	POTTER	CS-24R	STROBE, CEILING, RED						
	2	POTTER	S-24WR	STROBE, 24 VDC, RED						
	6	POTTER	CHS-24R	HORN STROBE, CEILING, RED						
	2	POTTER	HS-24WR-WP	OUTDOOR HORN STROBE, FIXED 75 CANDLEA, STANDARD ENCLOSURE, RED						
	1	POTTER	HS-24WR	HORN STROBE, 24 VDC, RED,						



FLOOR PLAN



Authority Having
Jurisdiction Stamp

Drawing Revisions		
#	Description	Date

Project #:
Project #

Scale:
1/8"=1'

Date:
Date

Drawn By:
Designer Initials

Approved By:
Contractor Name

Sheet Name:
Floor Plan

Sheet Number:
FA-200

Company Address 1
Company Address 2

Phone Number

Contractor Name
Contractor License
License #

Certification
Certification Name
Certification #

Project Name:
Project Name
Project Address:
Project Address 1
Project Address 2
Designed By:
Dace Fraker
Nicet Level III # 147197

PANEL P1 (AFC-50) BATTERY CALCULATION								
SECONDARY POWER SOURCE REQUIREMENTS								
PANEL COMPONENTS	QTY	PART NO	DESCRIPTION	STANDBY CURRENT (AMPS)		SECONDARY ALARM CURRENT (AMPS)		
				CURRENT DRAW (A)	TOTAL (A)	CURRENT DRAW (A)	TOTAL	
	1	AFC-50 Main Board	Fire Alarm Control Panel Main Board	1 x 0.13	= 0.13	1 x 0.22	= 0.22	
	1	UD-1000	PFC Series Digital Alarm Communicator Transmitter(RJ-11 Jack Connection)	1 x 0.016	= 0.016	1 x 0.023	= 0.023	
CIRCUIT	SYMBOL	QTY	PART NO	DESCRIPTION	CURRENT DRAW (A)	TOTAL (A)	TOTAL (A)	
P1-L1		1	PAD100-PD/PAD100-6DB	Photoelectric Smoke Detector with 6" Standard Base	1 x 0.0003	= 0.0003	1 x 0.0014	= 0.0014
		1	PAD100-PSDA	Addressable Pull Station Dual Action	1 x 0.0002	= 0.0002	1 x 0.0002	= 0.0002
		1	PAD100-SIM	Single Input Module	1 x 0.00024	= 0.00024	1 x 0.00024	= 0.00024
P1-N1		2	CHS-24R	Horn Strobe, Ceiling, Red 150cd	2 x 0.00	= 0.00	2 x 0.309	= 0.618
		1	CS-24R	Strobe, Ceiling, Red 75cd	1 x 0.00	= 0.00	1 x 0.20	= 0.20
		1	HS-24WR	Horn Strobe, 24 VDC, Red, 75cd	1 x 0.00	= 0.00	1 x 0.108	= 0.108
		2	HS-24WR-WP	Outdoor Horn Strobe, Fixed 75 Candela, Standard Enclosure, Red 75cd	2 x 0.00	= 0.00	2 x 0.142	= 0.284
		1	S-24WR	Strobe, 24 VDC, Red 15cd	1 x 0.00	= 0.00	1 x 0.03	= 0.03
		1	S-24WR	Strobe, 24 VDC, Red 75cd	1 x 0.00	= 0.00	1 x 0.08	= 0.08
P1-N2		1	CHS-24R	Horn Strobe, Ceiling, Red 30cd	1 x 0.00	= 0.00	1 x 0.124	= 0.124
		2	CHS-24R	Horn Strobe, Ceiling, Red 75cd	2 x 0.00	= 0.00	2 x 0.19	= 0.38
		1	CHS-24R	Horn Strobe, Ceiling, Red 150cd	1 x 0.00	= 0.00	1 x 0.309	= 0.309
		2	CS-24R	Strobe, Ceiling, Red 30cd	2 x 0.00	= 0.00	2 x 0.12	= 0.24
		2	CS-24R	Strobe, Ceiling, Red 75cd	2 x 0.00	= 0.00	2 x 0.20	= 0.40
P1-P-LINK		1	RA-6075	LCD Annunciator	1 x 0.02	= 0.02	1 x 0.025	= 0.025
				TOTAL STANDBY (A)	0.16674	TOTAL ALARM (A)	3.04284	
				REQUIRED STANDBY TIME = 24.00 HOURS				
				REQUIRED ALARM TIME = 5 MINUTES				
SECONDARY STANDBY LOAD				0.16674	x 24.00	= 4.0018 AH		
SECONDARY ALARM LOAD				3.04284	x 0.0833	= 0.2536 AH		
STANDBY AND ALARM LOAD SUBTOTAL				4.2553 AH				
DERATING FACTOR				x 1.20				
SECONDARY LOAD REQUIREMENTS (AMP HOURS)				5.1064 AH				
PROVIDE (2) 12V 7AH BATTERIES @ 24VDC								

Addressable Device Schedule for Panel P1 Circuit L1			
Total Distance: 141.2650' Wire GA=#18 AWG			
Distance measured using drawn segment lengths with 10.00 % additional length calculated			
Device Label	Part No.	Description	Distance From Previous Device
P1-L1-001	PAD100-PD/PAD100-6DB	Photoelectric Smoke Detector with 6" Standard Base	3.0588'
P1-L1-002	PAD100-PSDA	Addressable Pull Station Dual Action	4.4837'
P1-L1-003	PAD100-SIM	Single Input Module	133.7225'

Panel P1	
Total Used Current: (All Circuits)	2.7730A

Point-To-Point Voltage Drop Calculation for Panel P1 Circuit N1
Starting Calculation Voltage: 20.4000v Minimum Operational Voltage: 16.0000v
Total Circuit Current: 1.3200A Total Distance: 276.5031'
Voltage Drop: 1.3481v End Of Line Voltage: 19.0519v
Percent Drop: 6.61 % Wire GA=#14 AWG
Distance measured using drawn segment lengths with 10.00 % additional length calculated

Device Label	Part No.	Description	Device Current	Distance From Previous Device	Voltage At Device	Voltage Drop From Source	Voltage Drop Percent
P1-N1-001	HS-24WR-WP	Outdoor Horn Strobe, Fixed 75 Candela, Standard Enclosure, Red 75cd	0.1420A	23.0720'	20.2130v	0.1870v	0.92 %
P1-N1-002	HS-24WR-WP	Outdoor Horn Strobe, Fixed 75 Candela, Standard Enclosure, Red 75cd	0.1420A	0.5958'	20.2087v	0.1913v	0.94 %
P1-N1-003	S-24WR	Strobe, 24 VDC, Red 15cd	0.0300A	46.1895'	19.9149v	0.4851v	2.38 %
P1-N1-004	HS-24WR	Horn Strobe, 24 VDC, Red, 75cd	0.1080A	38.7298'	19.6757v	0.7243v	3.55 %
P1-N1-005	S-24WR	Strobe, 24 VDC, Red 75cd	0.0800A	34.5246'	19.4853v	0.9147v	4.48 %
P1-N1-006	CHS-24R	Horn Strobe, Ceiling, Red 150cd	0.3090A	49.2903'	19.2377v	1.1623v	5.70 %
P1-N1-007	CHS-24R	Horn Strobe, Ceiling, Red 150cd	0.3090A	43.5307'	19.1017v	1.2983v	6.36 %
P1-N1-008 EOL	CS-24R	Strobe, Ceiling, Red 75cd	0.2000A	40.5704'	19.0519v	1.3481v	6.61 %

Point-To-Point Voltage Drop Calculation for Panel P1 Circuit N2
Starting Calculation Voltage: 20.4000v Minimum Operational Voltage: 16.0000v
Total Circuit Current: 1.4530A Total Distance: 250.3490'
Voltage Drop: 1.1802v End Of Line Voltage: 19.2198v
Percent Drop: 5.79 % Wire GA=#14 AWG
Distance measured using drawn segment lengths with 10.00 % additional length calculated

Device Label	Part No.	Description	Device Current	Distance From Previous Device	Voltage At Device	Voltage Drop From Source	Voltage Drop Percent
P1-N2-001	CHS-24R	Horn Strobe, Ceiling, Red 30cd	0.1240A	20.7771'	20.2146v	0.1854v	0.91 %
P1-N2-002	CS-24R	Strobe, Ceiling, Red 30cd	0.1200A	13.1179'	20.1076v	0.2924v	1.43 %
P1-N2-003	CS-24R	Strobe, Ceiling, Red 30cd	0.1200A	8.2535'	20.0463v	0.3537v	1.73 %
P1-N2-004	CHS-24R	Horn Strobe, Ceiling, Red 150cd	0.3090A	58.0768'	19.6580v	0.7420v	3.64 %
P1-N2-005	CS-24R	Strobe, Ceiling, Red 75cd	0.2000A	45.5669'	19.4398v	0.9602v	4.71 %
P1-N2-006	CHS-24R	Horn Strobe, Ceiling, Red 75cd	0.1900A	32.7269'	19.3232v	1.0768v	5.28 %
P1-N2-007	CS-24R	Strobe, Ceiling, Red 75cd	0.2000A	16.0181'	19.2849v	1.1151v	5.47 %
P1-N2-008 EOL	CHS-24R	Horn Strobe, Ceiling, Red 75cd	0.1900A	55.8119'	19.2198v	1.1802v	5.79 %

FIRE ALARM SYSTEM INPUT/OUTPUT MATRIX

		SYSTEM OUTPUTS											
		NOTIFICATION / REQUIRED FIRE SAFETY CONTROL											
		A	B	C	D	E	F	G	H	I	J	K	L
1	FIRE ALARM SYSTEM AC POWER FAILURE	●	●										
2	FIRE ALARM SYSTEM LOW BATTERY	●	●										
3	OPEN CIRCUIT	●	●										
4	GROUND FAULT	●	●										
5	NOTIFICATION APPLIANCE CIRCUIT SHORT	●	●										
6	BUILDING MANUAL PULL STATIONS			●	●	●	●						
7	SMOKE DETECTORS			●	●	●	●						
8	WATERFLOW			●	●	●	●						
9	TAMPER							●	●				
10	ANSUL HOOD							●	●				
11													
12													
13													
14													
15													
16													

SYSTEM INPUTS

TRANSMIT TROUBLE SIGNAL TO CENTRAL STATION
ACTUATE AUDIBLE/VISIBLE TROUBLE SIGNAL AT FACP & ANN
TRANSMIT FIRE ALARM SIGNAL TO CENTRAL STATION
ACTUATE AUDIBLE/VISIBLE TROUBLE SIGNAL AT FACP & ANN
ACTUATE BUILDING NOTIFICATION
ACTUATE BUILDING NOTIFICATION
TRANSMIT SUPERVISORY SIGNAL TO CENTRAL STATION
ACTUATE AUDIBLE/VISIBLE SUPERVISORY SIGNAL AT FACP & ANN

Authority Having Jurisdiction Stamp

Drawing Revisions		
#	Description	Date

Project #:
Project #

Scale:

Date:
Date

Drawn By:
Designer Initials

Approved By:
Contractor Name

Sheet Name:
Calculations

Sheet Number:
FA-300

Company Address 1
Company Address 2

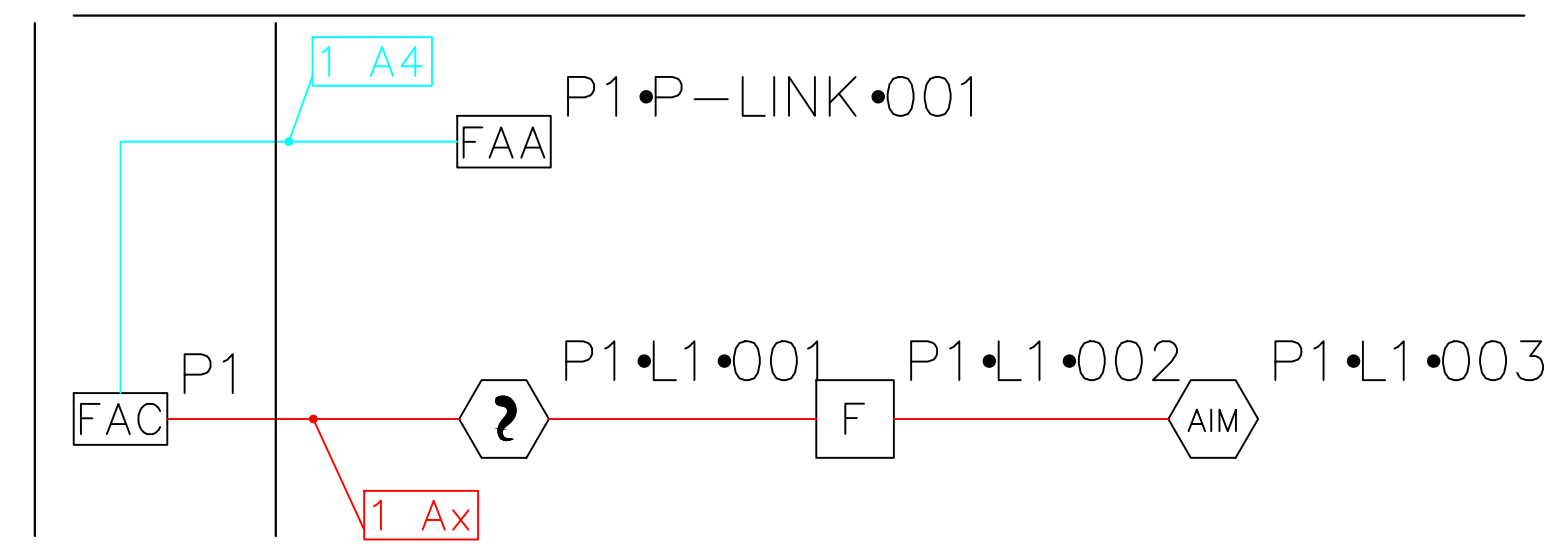
Phone Number

Contractor Name
Contractor License
License #

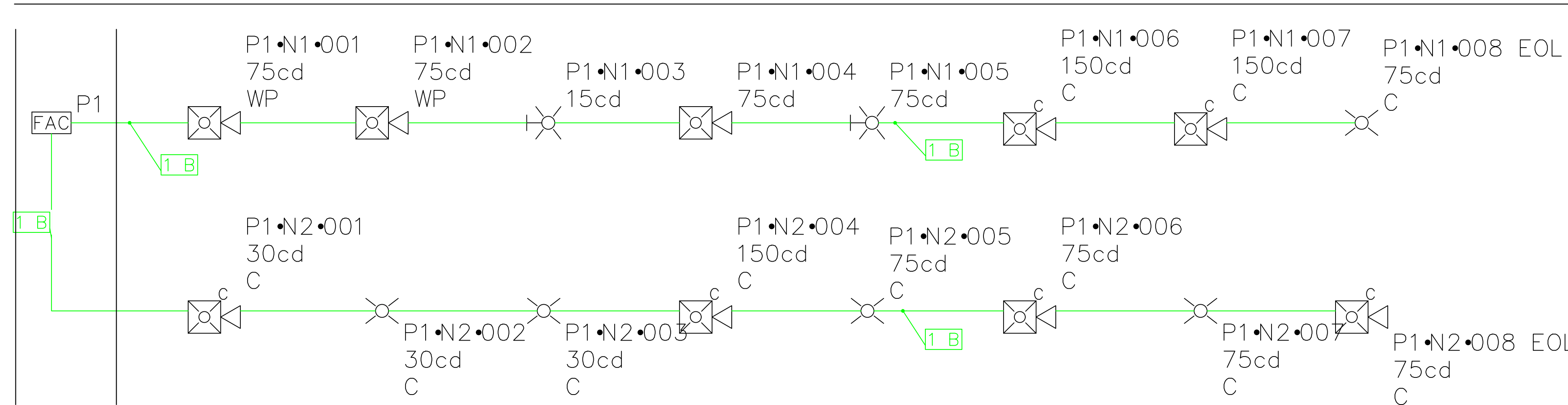
Certification
Certification Name
Certification #

CABLE AND WIRE LEGEND					
LABEL	PART NO	AWG	RESISTANCE (Ω/Mft)	DESCRIPTION	TOTAL LENGTH
A4	982	18	7.77	SOLID COPPER FPLR 18/4	193.03047
AX	D980	18	7.77	SOLID COPPER FPLR 18/2	141.26507
B	984	14	3.07	SOLID COPPER FPLR 14/2	526.85227

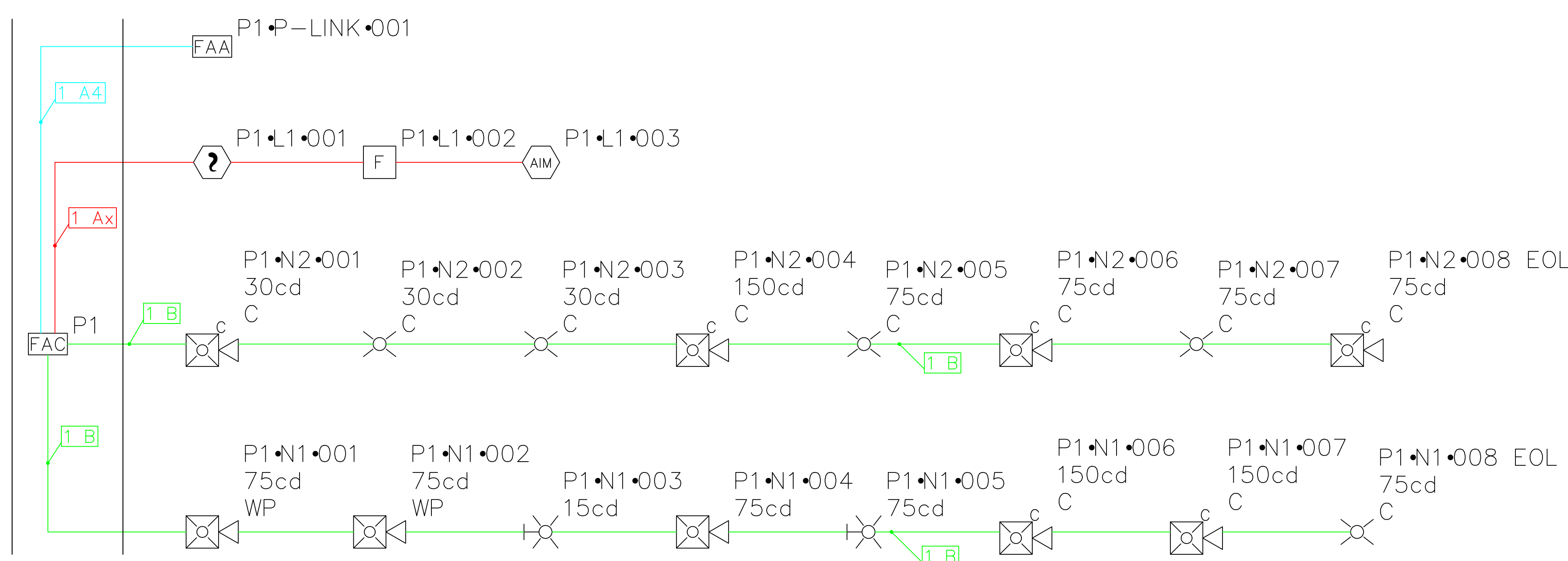
DEVICE LEGEND			
DEVICE SYMBOL	QTY.	MANUFACTURER	DESCRIPTION
AAA	1	GENERIC	ANSUL HOOD
DOC	1	GENERIC	GENERIC DOCUMENT CABINET
FAC	1	POTTER	FIRE ALARM CONTROL PANEL SA
	1	POTTER	AFC-50 MAIN BOARD
	1	POTTER	FIRE ALARM CONTROL PANEL MAIN BOARD
FAA	1	POTTER	UD-1000
	1	POTTER	PFC SERIES DIGITAL ALARM COMMUNICATOR TRANSMITTER(RJ-11 JACK CONNECTION)
RA-6075	1	POTTER	RA-6075 MAIN BOARD
	1	POTTER	MAIN BOARD FOR RA-6075 LCD ANNUNCIATOR
?	1	POTTER	PAD100-PD/PA D100-6DB
	1	POTTER	PHOTOELECTRIC SMOKE DETECTOR WITH 6" STANDARD BASE
F	1	POTTER	PAD100-PSDA
	1	POTTER	ADDRESSABLE PULL STATION DUAL ACTION
~	1	POTTER	PAD100-SIM
	1	POTTER	SINGLE INPUT MODULE
CS-24R	5	POTTER	CS-24R
	5	POTTER	STROBE, CEILING, RED
S-24WR	2	POTTER	S-24WR
	2	POTTER	STROBE, 24 VDC, RED
CHS-24R	6	POTTER	CHS-24R
	6	POTTER	HORN STROBE, CEILING, RED
HS-24WR-WP	2	POTTER	HS-24WR-WP
	2	POTTER	OUTDOOR HORN STROBE, FIXED 75 CANDLES, STANDARD ENCLOSURE, RED
HS-24WR	1	POTTER	HS-24WR
	1	POTTER	HORN STROBE, 24 VDC, RED,



SLC RISER



NAC RISER



COMBINED RISER

Project Name:

Project Name

Project Address: 1

Project Address 2

Designed By: Dace Fraker

Nicet Level III # 147197

Drawing Revisions		
#	Description	Date

Project #: Project #

Scale:

Date: Date

Drawn By: Designer Initials

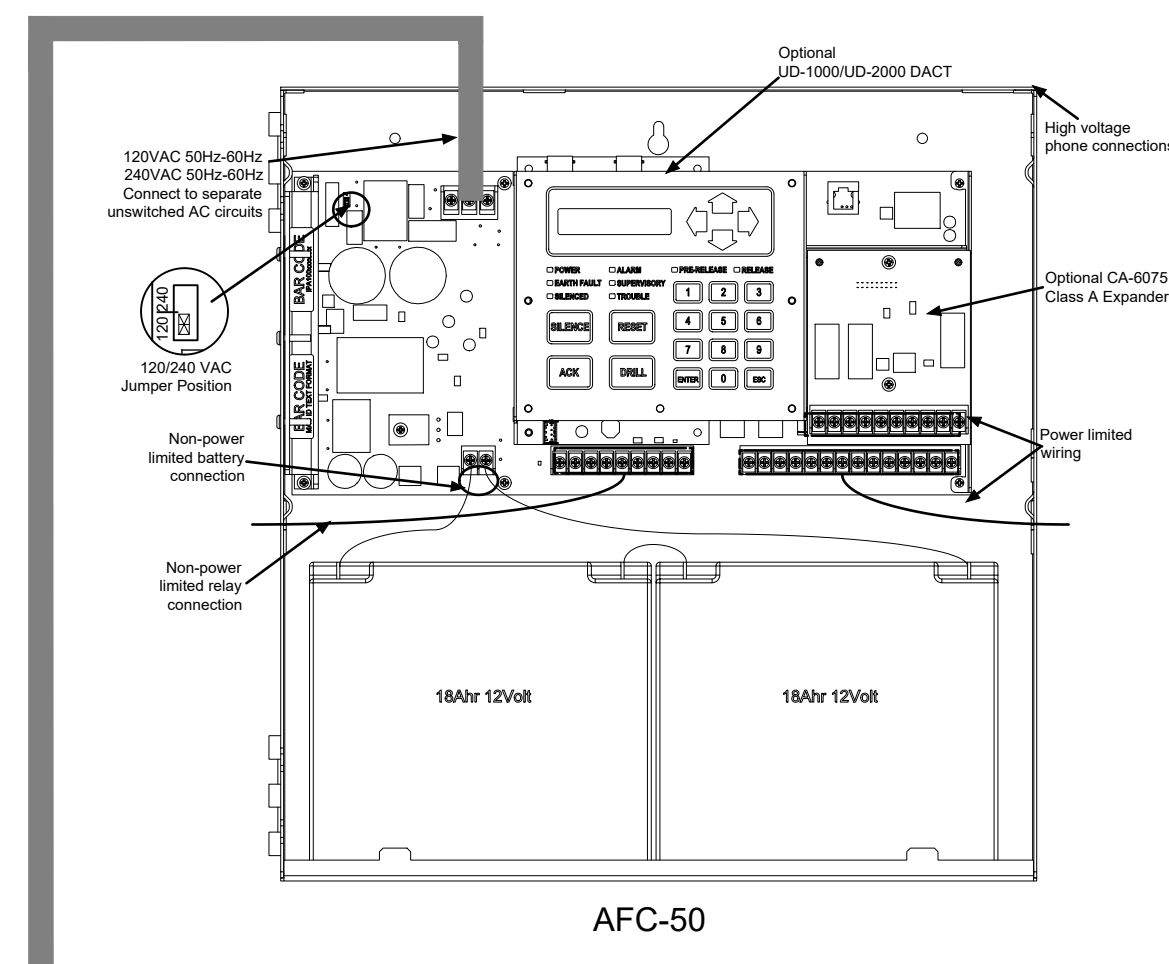
Approved By: Contractor Name

Sheet Name: Riser

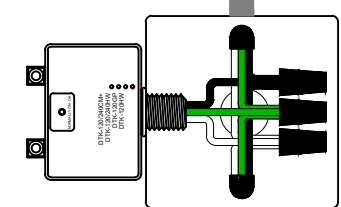
Sheet Number: FA-400

Authority Having Jurisdiction Stamp

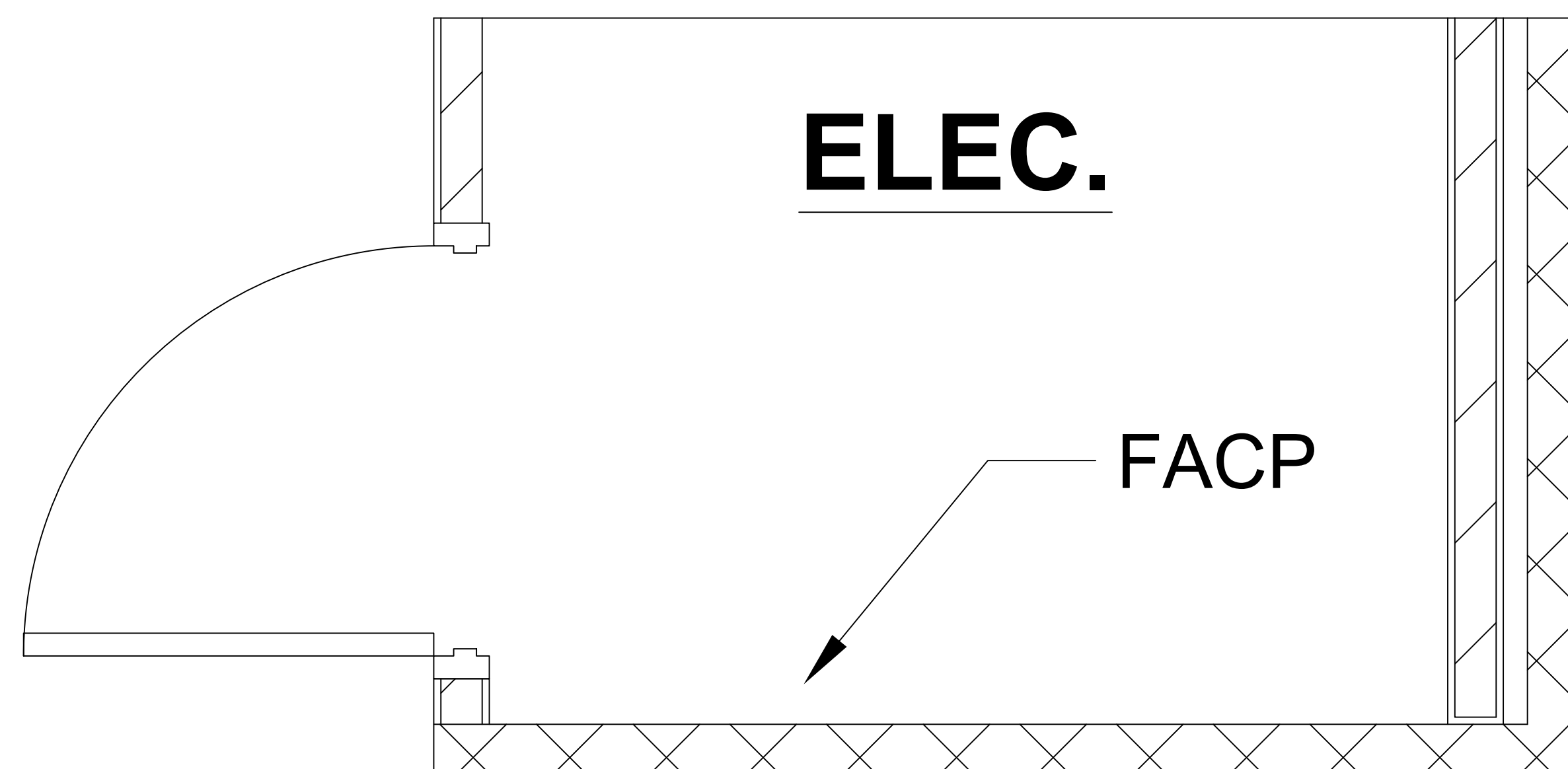
0 1' 2'



SURGE PROTECTOR TO BE MOUNTED AT A MINIMUM OF 3' FROM PANEL

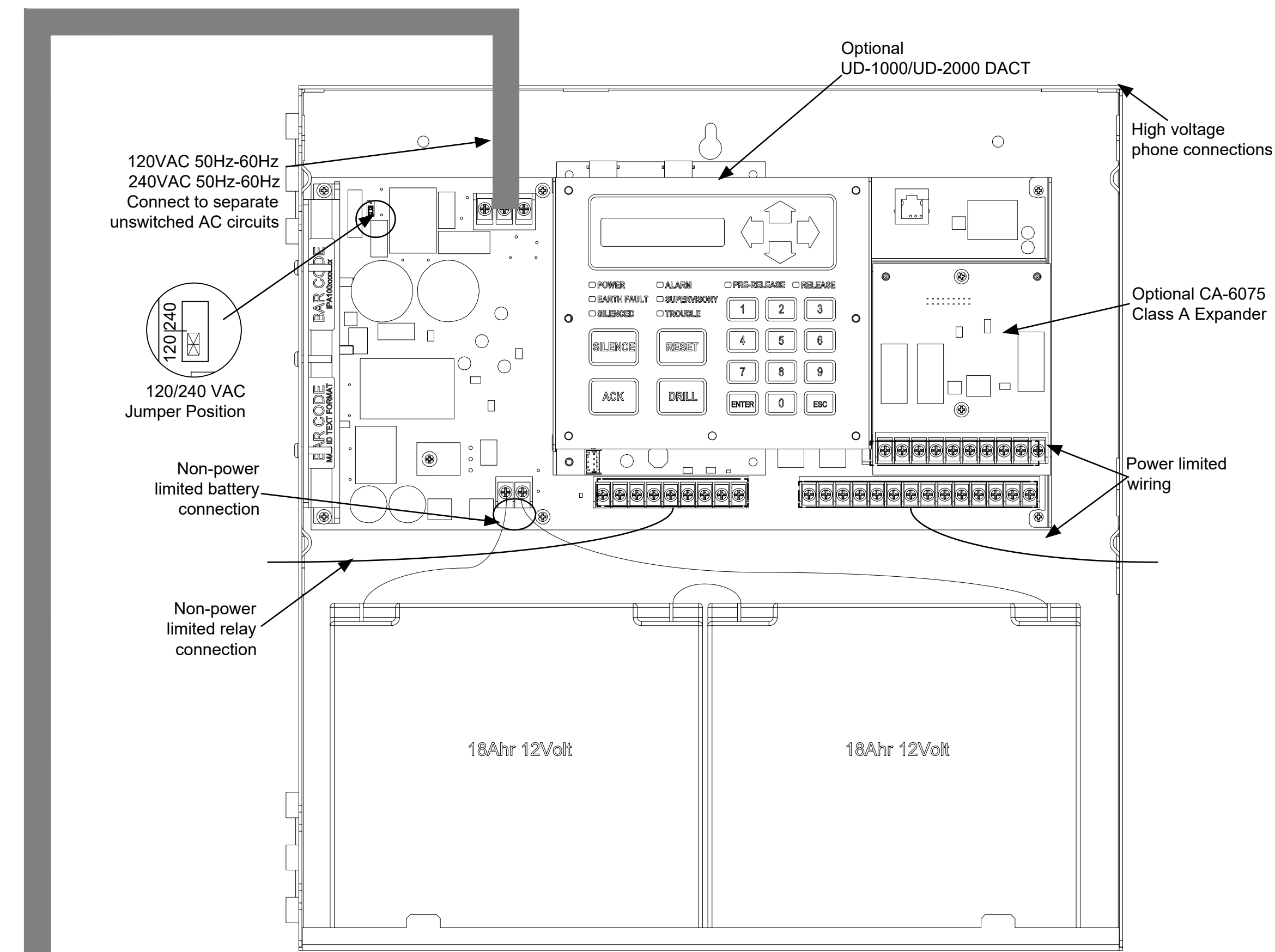


Dedicated 120V Circuit



(N.T.S.)

0 1' 2'



AFC-50

YOUR COMPANY LOGO

Company Address 1
Company Address 2

Phone Number

Contractor Name
Contractor License
License #

Certification
Certification Name
Certification #

Project Name:
Project Name

Project Address:
Project Address 1
Project Address 2

Designed By:
Dace Fraker
Nicet Level III # 147197

Drawing Revisions		
#	Description	Date

Project #:
Project #

Scale:

Date:
Date

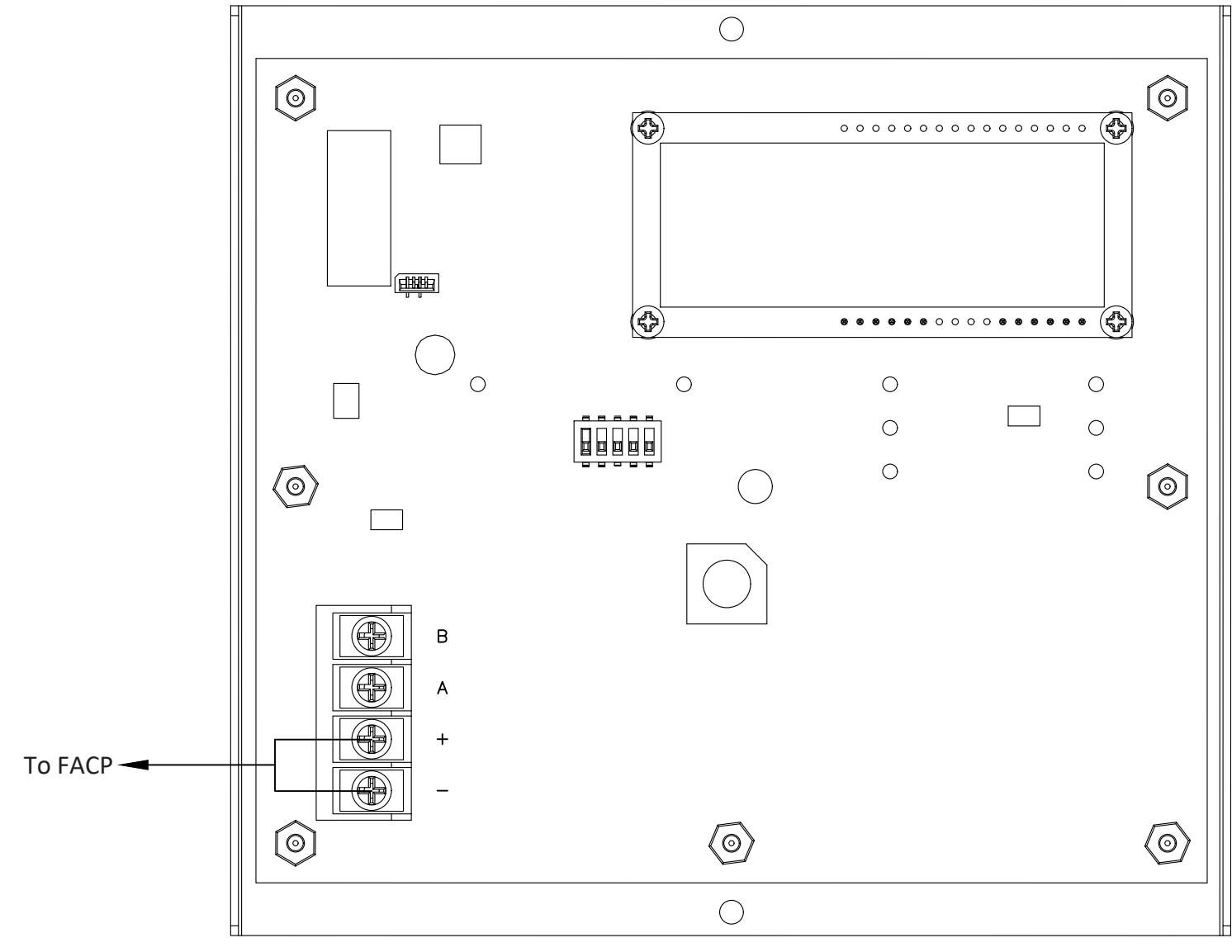
Drawn By:
Designer Initials

Approved By:
Contractor Name

Sheet Name:
Panel Room

Sheet Number:
FA-500





RA-6075

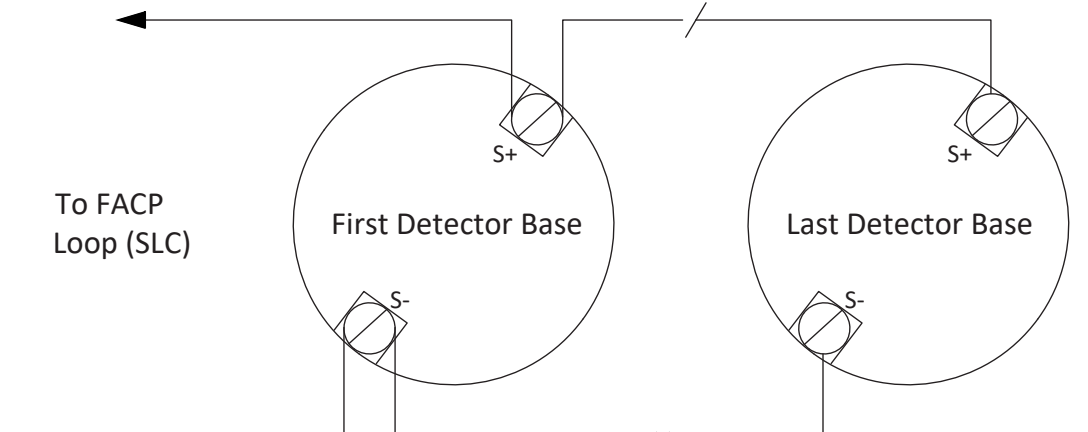


Figure 1
Wiring (Style B)
Using PAD100-6DB or PAD100-4DB

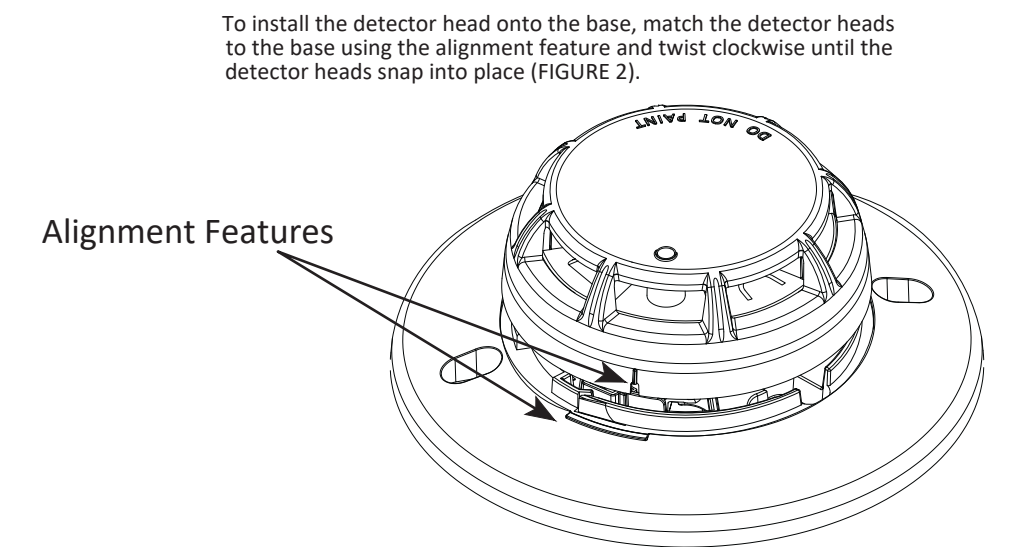
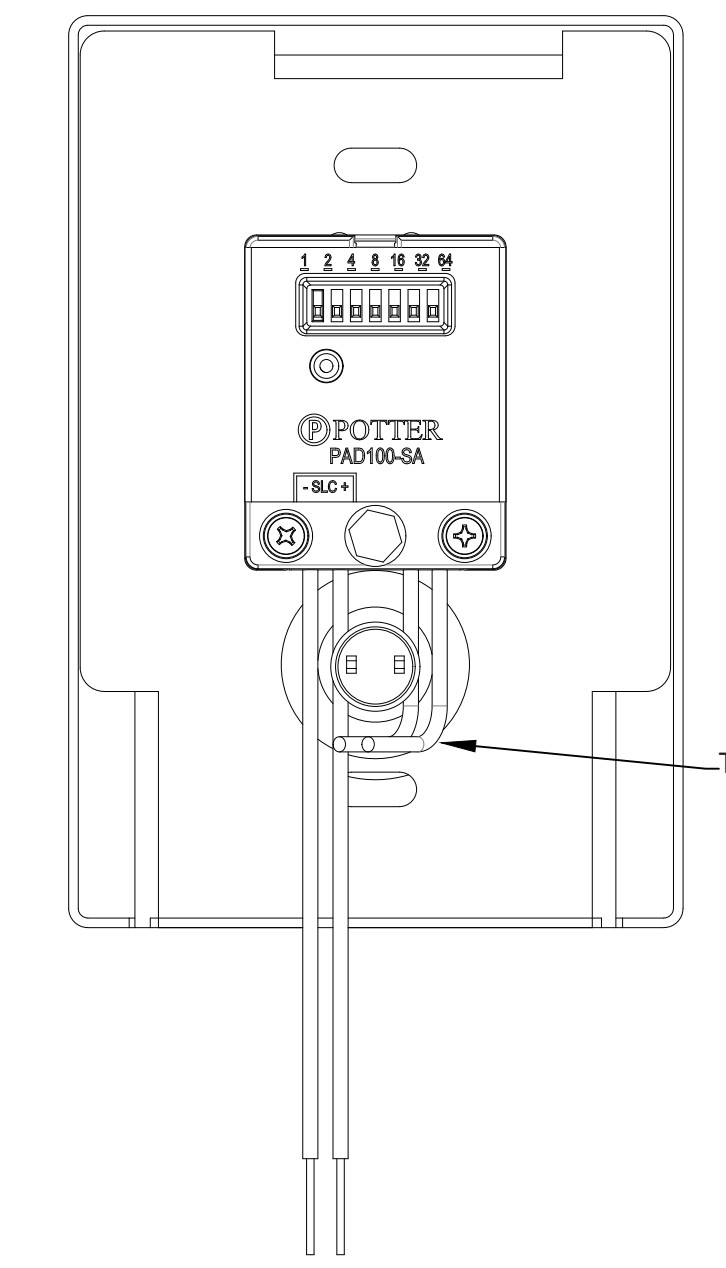


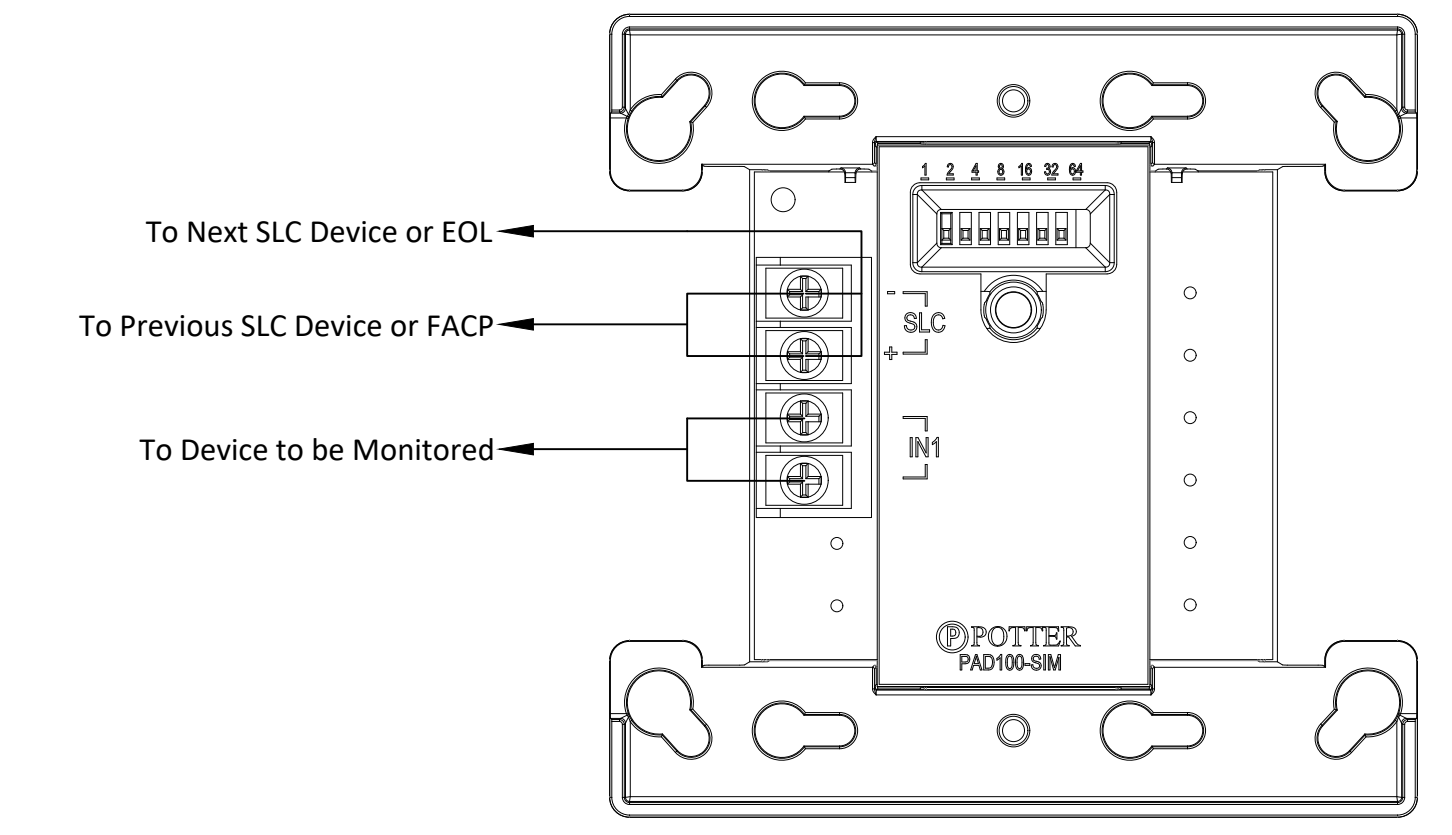
FIGURE 2
Assembly of Detector

PAD100-PD
w/
PAD100-6DB

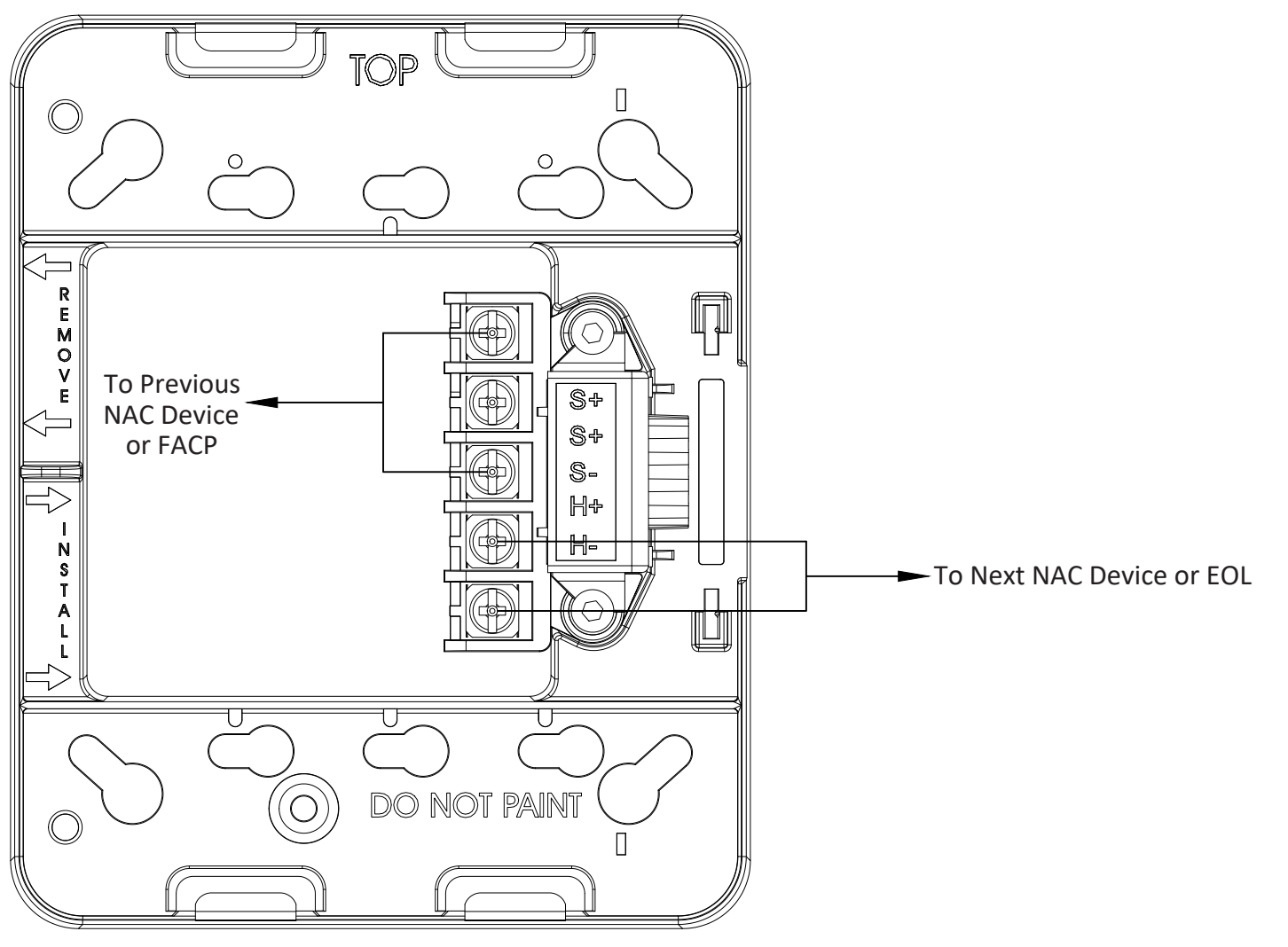


To Previous SLC Device or FACP

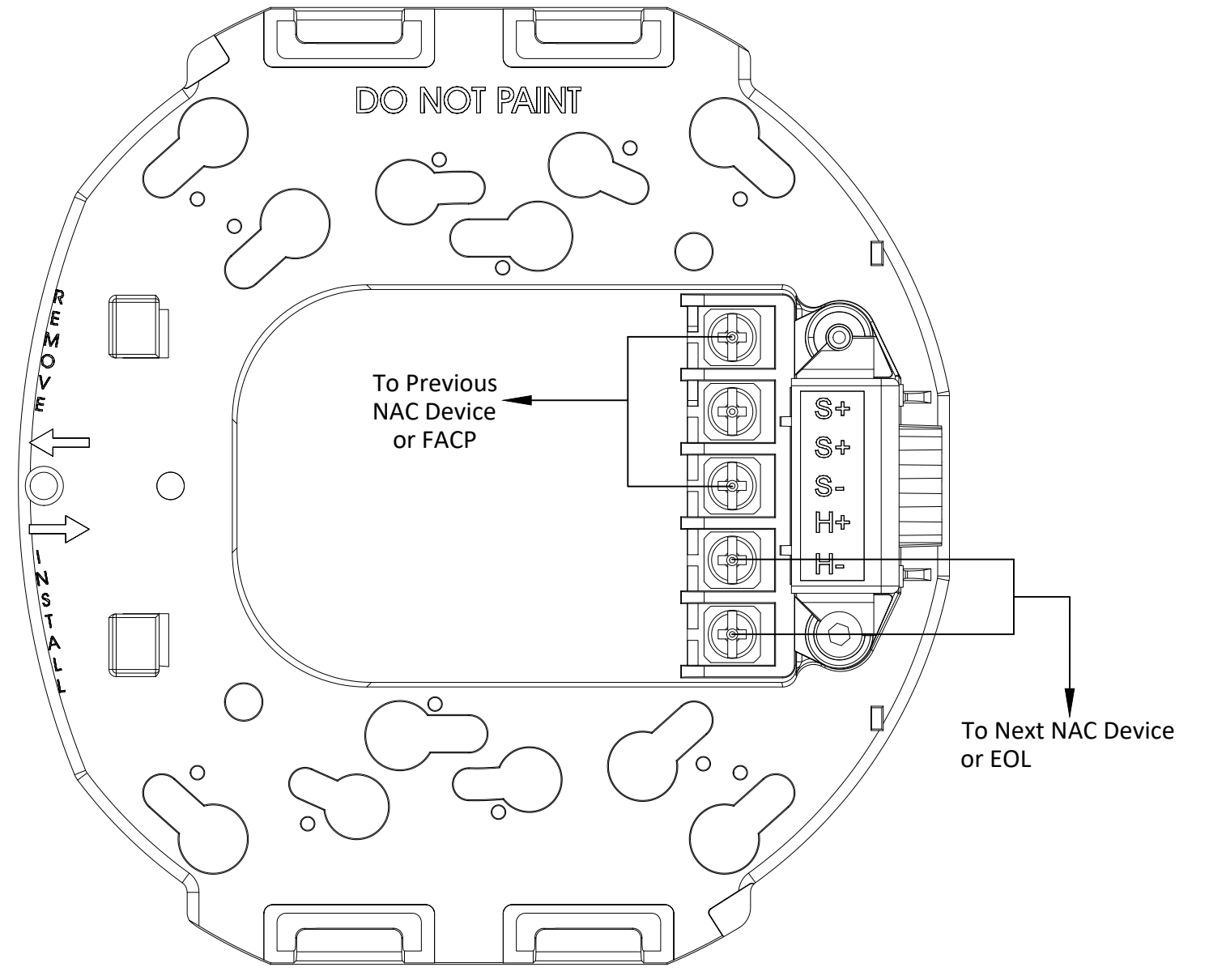
PAD100-PSSA-PSDA



PAD100-SIM



S-24,
HS-24,
HS-24-WP



CS-24,
CHS-24

N/A

N/A



**YOUR
COMPANY
LOGO**

Company Address 1
Company Address 2

Phone Number

Contractor Name
Contractor License
License #

Certification
Certification Name
Certification #

Project Name:
Project Name

Project Address:
Project Address 1
Project Address 2

Designed By:
Dace Fraker
Nicet Level III # 147197

Drawing Revisions		
#	Description	Date

Project #:
Project #

Scale:

Date:
Date

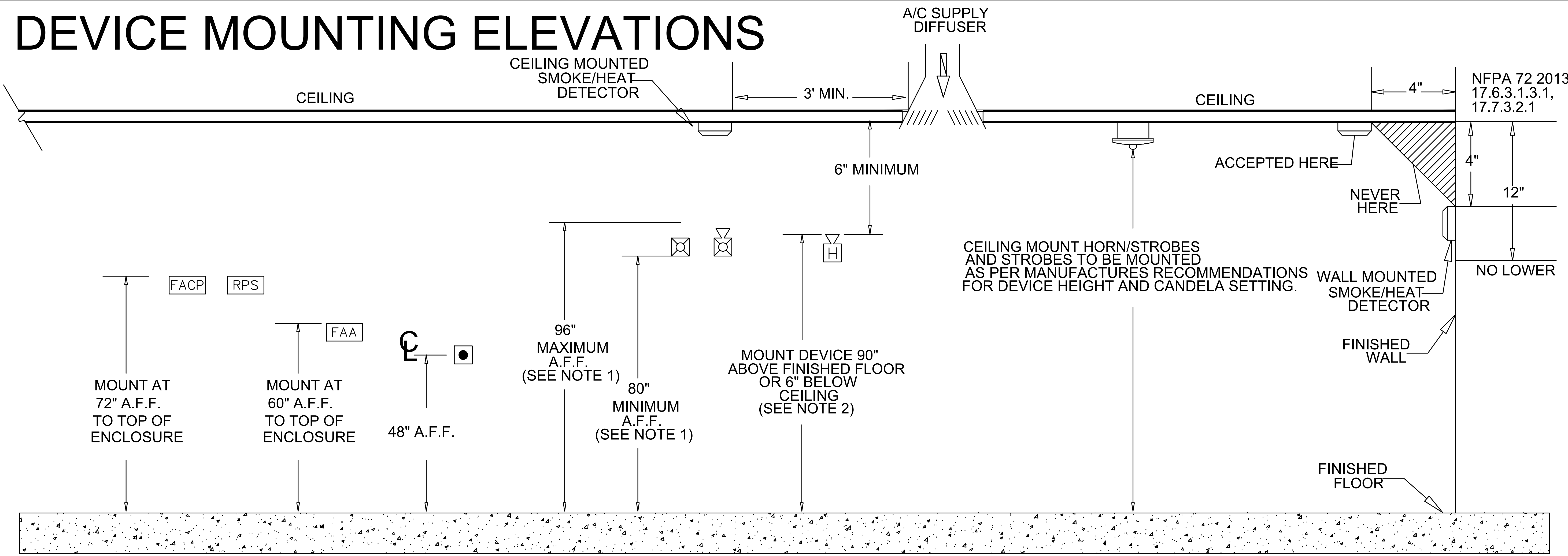
Drawn By:
Designer Initials

Approved By:
Contractor Name

Sheet Name:
Details - 1

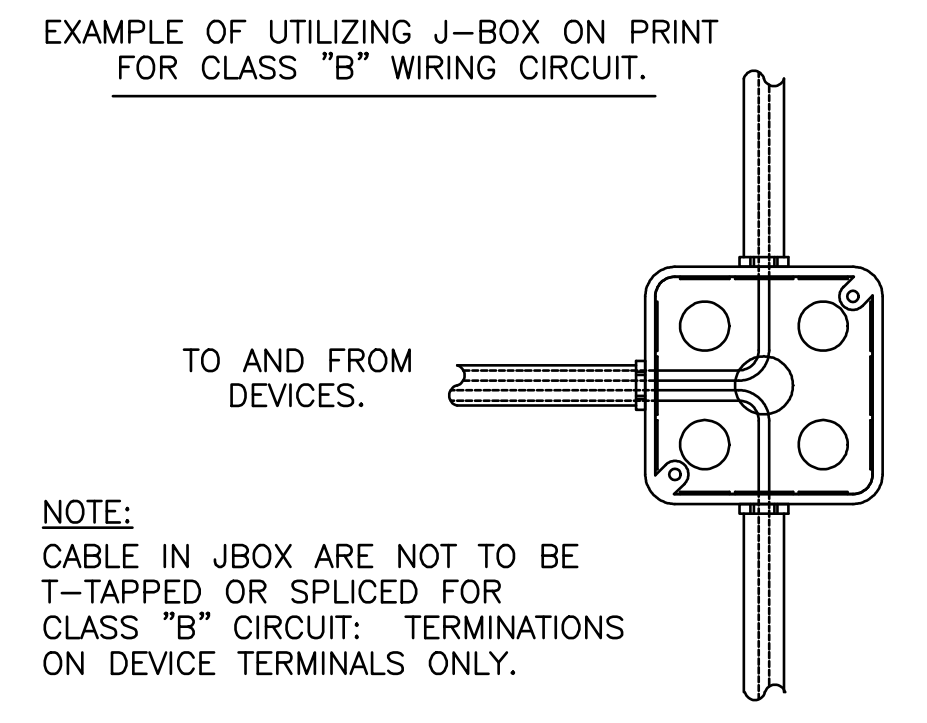
Sheet Number:
FA-600

DEVICE MOUNTING ELEVATIONS



NOTES:
 1. WALL MOUNTED APPLIANCES SHALL BE MOUNTED SUCH THAT THE ENTIRE LENS IS NOT LESS THAN 80" AND NOT GREATER THAN 96" ABOVE FINISHED FLOOR. (NFPA 72 SECTION 18.5.5.1)
 2. IF CEILING HEIGHTS ALLOW, AND UNLESS OTHERWISE PERMITTED, WALL MOUNT APPLIANCES SHALL HAVE THEIR TOPS ABOVE FINISHED FLOOR AT HEIGHTS NOT LESS THAN 90" AND BELOW THE FINISHED CEILING AT DISTANCES OF NOT LESS THAN 6". (NFPA 72 2030 SECTION 18.4.8.1)

N.T.S.



WIRE RUN DETAIL - J-BOX DETAIL

N.T.S.

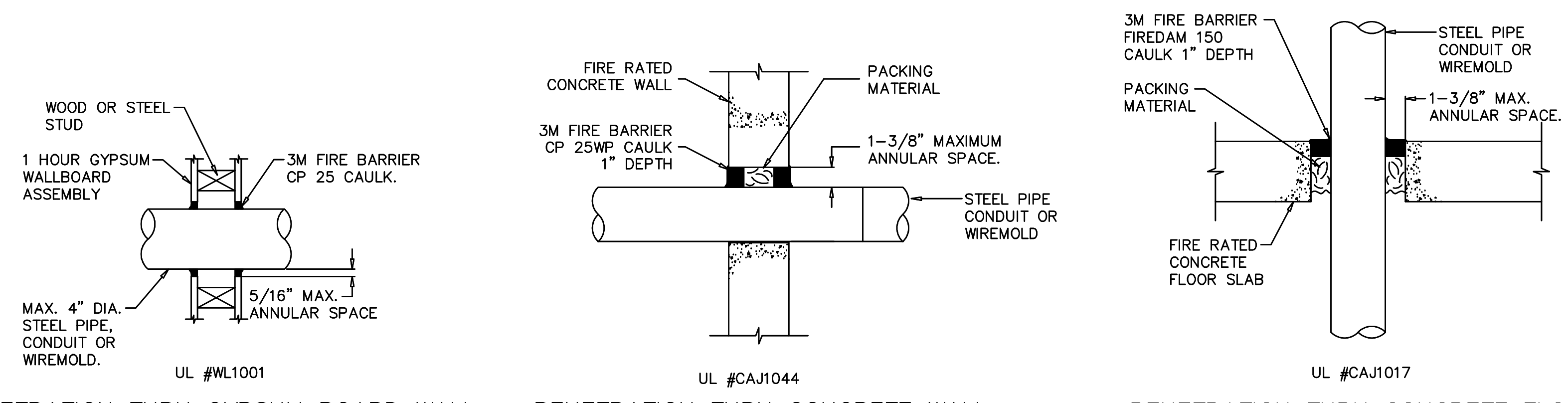
END-OF-LINE RESISTOR COLOR CODE

(E.O.L.R.)

OHM VALUE	1ST BAND	2ND BAND	3RD BAND	4TH BAND	WATTAGE VALUE	COLOR	TOLERANCE
470	YELLOW	VIOLET	BROWN	GOLD	1 WATT	BROWN	1%
560	GREEN	BLUE	BROWN	GOLD	1 WATT	RED	5%
1K	BROWN	BLACK	RED	GOLD	1 WATT	ORANGE	3%
3.3K	ORANGE	ORANGE	RED	GOLD	1 WATT	GREEN	5%
6.8K	BLUE	GRAY	RED	GOLD	1 WATT	VIOLET	7%
10K	BROWN	BLACK	ORANGE	GOLD	1/2 WATT	GRAY	8%
100K	BROWN	BLACK	YELLOW	GOLD	1/2 WATT	WHITE	9%

END-OF-LINE RESISTOR COLOR CODE

FIRE STOP/THRU-PENETRATION DETAIL



PENETRATION THRU GYPSUM BOARD WALL PENETRATION THRU CONCRETE WALL PENETRATION THRU CONCRETE FLOOR

NO SCALE NO SCALE NO SCALE

SYSTEM NO. WL1001 (FORMERLY SYSTEM NO. 147)
 F RATINGS - 1, 2, 3, AND 4 HR (SEE ITEMS 2 AND 3)
 T RATINGS - 0, 1, 2, 3, AND 4 HR (SEE ITEM 3)
 L RATING AT AMBIENT - LESS THAN 1 CFM/SQ FT (SEE ITEM 3)
 L RATING AT 400 F - LESS THAN 1 CFM/SQ FT (SEE ITEM 3)

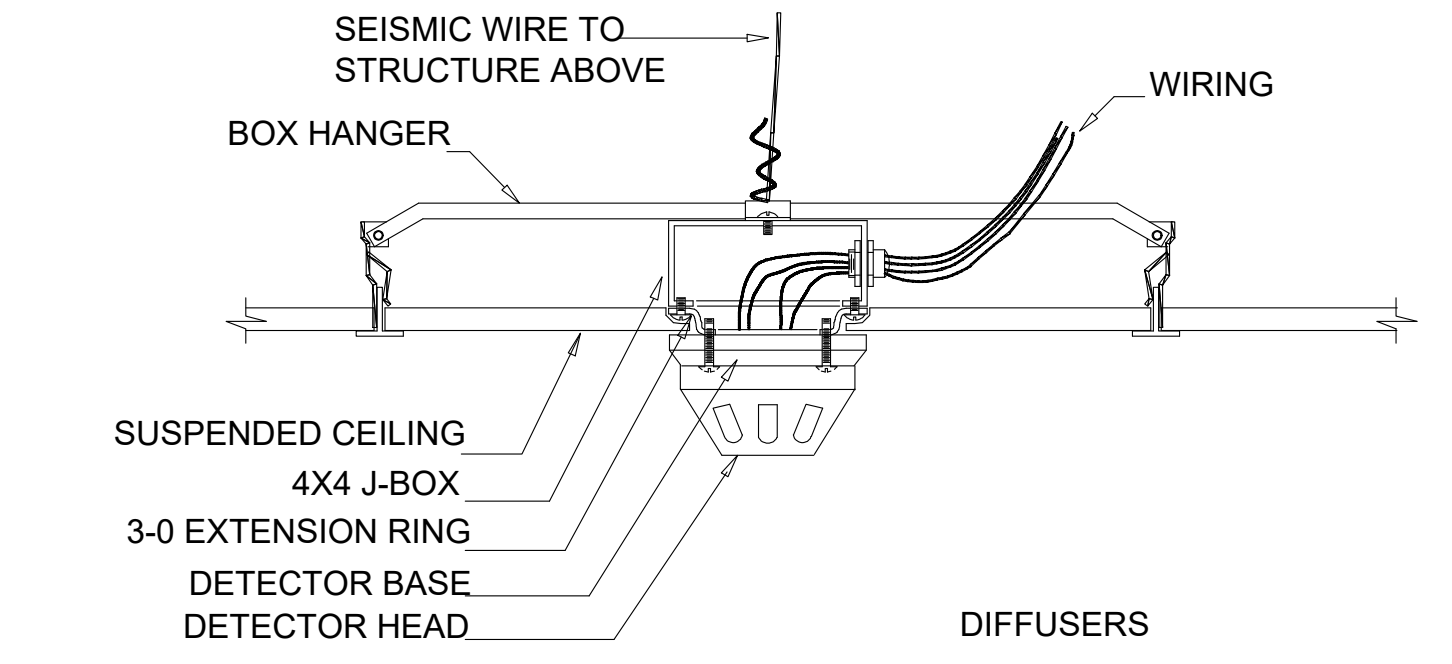
- WALL ASSEMBLY - THE 1, 2, 3 OR 4 HR FIRE RATED GYPSUM WALL BOARD/STUD WALL ASSEMBLY SHALL BE CONSTRUCTED OF THE MATERIALS AND IN THE MANNER DESCRIBED IN THE INDIVIDUAL U300 OR U400 SERIES WALL OR PARTITION DESIGN IN THE UL FIRE RESISTANCE DIRECTORY AND SHALL INCLUDE THE FOLLOWING CONSTRUCTION FEATURES:
 - STUDS - WALL FRAMING MAY CONSIST OF EITHER WOOD STUDS (MAX. 2 HR FIRE RATED ASSEMBLIES) OR STEEL CHANNEL STUDS. WOOD STUDS TO CONSIST OF NOM 2 BY 4 IN. LUMBER SPACED IN 18 IN. OC WIT NOM 2 BY 4 IN. LUMBER AND PLATES AND CROSS BRACES. STEEL STUDS TO BE MIN 3-8/8 IN. WIDE BY 1-3/8 IN. DEEP CHANNELS SPACED MAX 24 IN. CC.
 - WALLBOARD, GYPSUM - NOM 1/2 OR 8/8 IN. THICK, 4 FT. WIDE WITH SQUARE OR TAPERED EDGES. THE GYPSUM WALLBOARD RYPS, THICKNESS, NUMBER OF LAYERS, FASTENER TYPE AND SHEET ORIENTATION SHALL BE SPECIFIED IN THE INDIVIDUAL U300 OR U400 SERIES DESIGN IN THE UL FIRE RESISTANCE DIRECTORY. MAX DIAM OF OPENING IS 13-1/2 IN.
- PIPE OR CONDUIT - NOM 12 IN. DIAM (OR SMALLER) SCHEDULE 10 (OR HAVIER) STEEL PIPE NOM 6 IN. DIAM (OR SMALLER) STEEL CONDUIT, NOM 4 IN. DIAM (OR SMALLER) STEEL ELECTRICAL METALIC TUBING OR TYPE L OR (OR HAVIER) COPPER TUBING NOM 1 IN. DIAM (OR SMALLER) FLEXIBLE STEEL CONDUIT. WHEN COPPER PIPE OR FLEXIBLE STEEL CONDUIT IS USED, MAX F RATING OF FIRESTOP SYSTEM (ITEM STRUCTED USING STEEL CHANNEL STUDS. A MAX OF ONE PIPE OR CONDUIT IS PERMITTED IN THE FIRESTOP SYSTEM. PIPE OR CONDUIT TO BE INSTALLED NEAR CENTER OF STUD CAVITY WIDTH AND TO BE RIGIDLY SUPPORTED ON BOTH SIDES OF WALL ASSEMBLY.
- FILL, VOID OR CAVITY MATERIAL - CAULK - CAULK FILL MATERIAL INSTALLED TO COMPLETELY FILL ANULAR SPACE BETWEEN PIPE OR CONDUIT AND GYPSUM WALLBOARD AND WITH A MIN 1/4 IN. DIAM BOARD OF CHAULK APPLIED TO PERIMETER OF PIPE OR CONDUIT AT ITS EGREES FROM THE WALL. CHAULK INSTALLED SYMMETRICALLY ON BOTH SIDES OF WALL ASSEMBLY. THE HOURLY F RATING OF THE FIRESTOP SYSTEM IS DEPENDENT UPON THE HOURLY FIRE RATING OF THE WALL ASSEMBLY IN WHICH IT IS INSTALLED, AS SHOWN IN THE FOLLOWING TABLE. THE HOURLY T RATING OF THE FIRESTOP SYSTEM IS DEPENDENT UPON THE TYPE OR SIZE OF THE PIPE OR CONDUIT AND THE HOURLY FIRE RATING OF THE WALL ASSEMBLY IN WHICH IT IS INSTALLED, AS TABLETED BELOW:

MAX PIPE OR CONDUIT DIAM, IN	ANULAR SPACE IN	F RATING HR	T RATING HR
1	0 TO 3/16	1 OR 2	0 + 1 OR 2
1	1/4 TO 1/2	3 OR 4	3 OR 4
4	0 TO 1/4	1 OR 2	0
6	1/4 TO 1/2	3 OR 4	0
12	3/16 TO 3/8	1 OR 2	0

+ WHEN COPPER PIPE IS USED, T RATING IS 0 NOM.
 MINNESOTA MINING & MFG. CO. - TYPES CP-25 S/L, CP-25 N/8, CP-25 WS, CP-25 WS + (NOTE: L RATINGS APPLY WHEN TYPE CP-25 WS+ CAULK IS USED.)

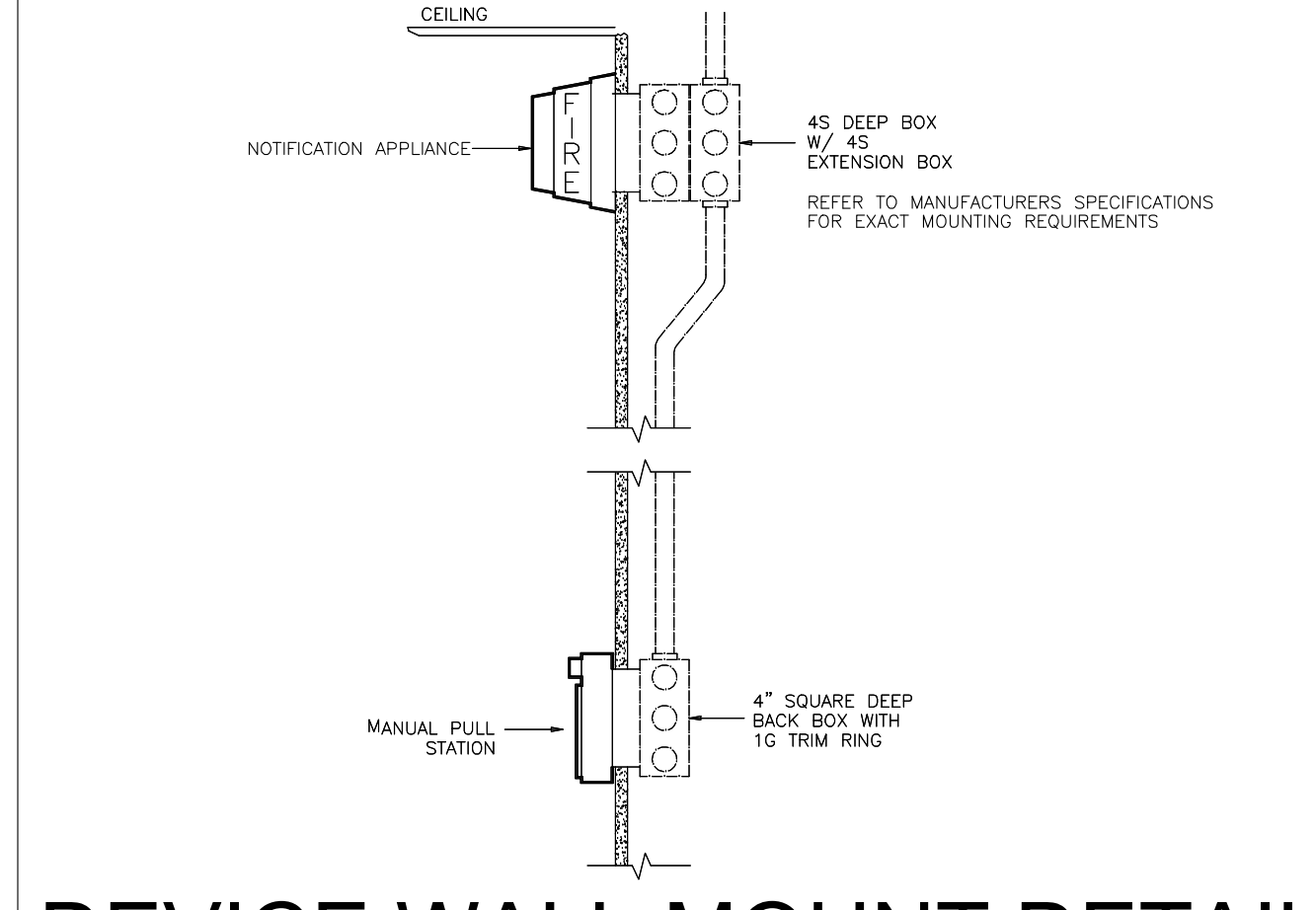
THROUGH WALL PENETRATION DETAILS

N.T.S.

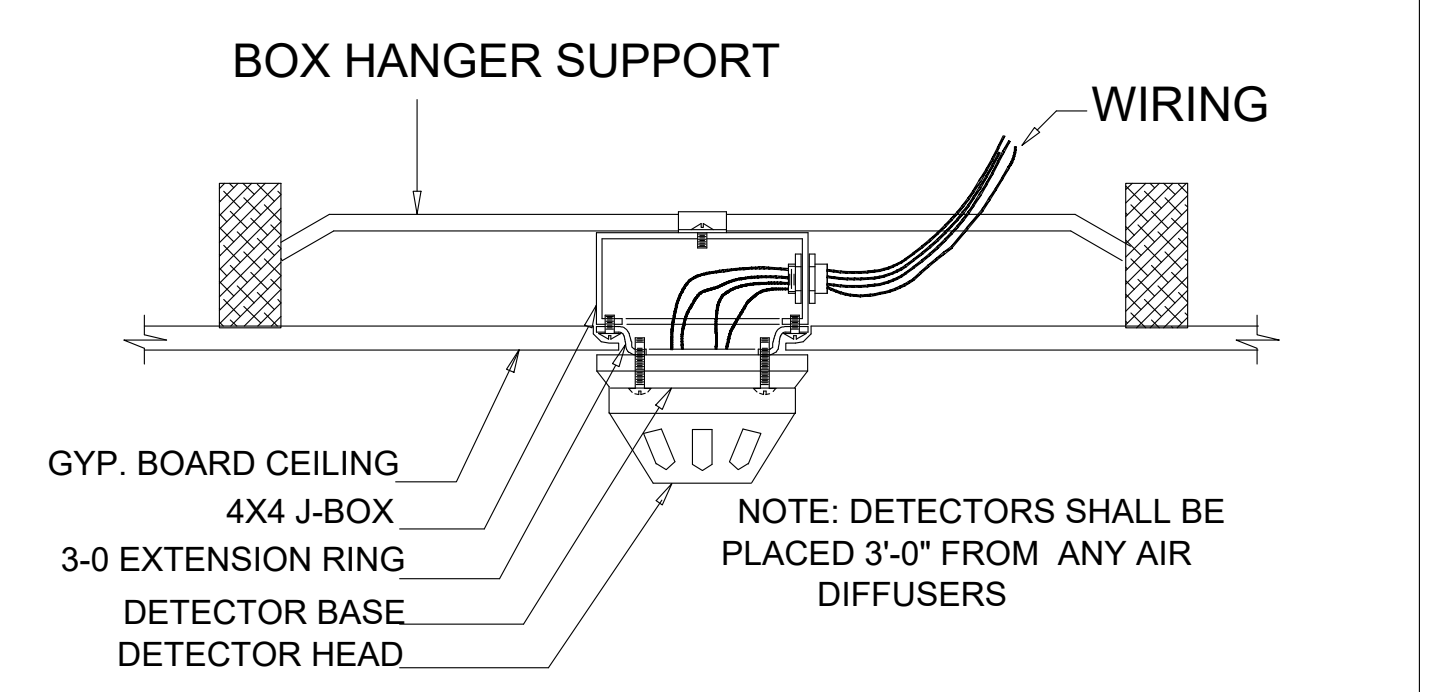


SUSPENDED CEILING DEVICE

*DETAIL IS TYPICAL FOR DETECTORS AND NOTIFICATION DEVICES



DEVICE WALL MOUNT DETAIL



GYP. BOARD DEVICE

N.T.S.

YOUR COMPANY LOGO

Company Address 1
 Company Address 2

Phone Number

Contractor Name
 Contractor License
 License #

Certification
 Certification Name
 Certification #

Project Name:
 Project Name
 Project Address:
 Project Address 1
 Project Address 2
 Designed By:
 Dace Fraker
 Nicet Level III # 147197

Drawing Revisions		
#	Description	Date

Project #:
 Project #

Scale:

Date:
 Date

Drawn By:
 Designer Initials

Approved By:
 Contractor Name

Sheet Name:
 Details - 2

Sheet Number:
 FA-601

Authority Having Jurisdiction Stamp